

National Crane 571E2

Quick Reference

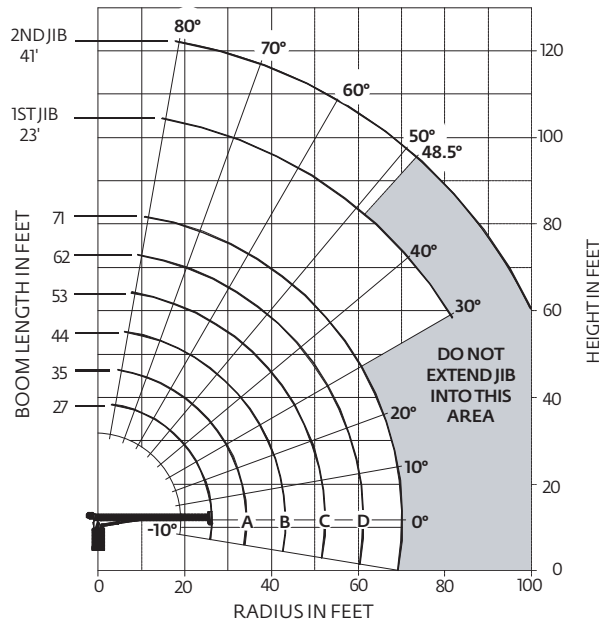
Capacity: 16,3 t (18 USt) rating

Boom: 24,65 m (71 ft)

• 24,38 m (80 ft) maximum tip height (main boom)

• 36,9 m (121 ft) maximum tip height (main boom and 7,01 m - 12,50 m [23 ft - 41 ft] two-section jib)

Working range: 71 ft main boom, full span outrigger, with 23 ft - 41 ft jib



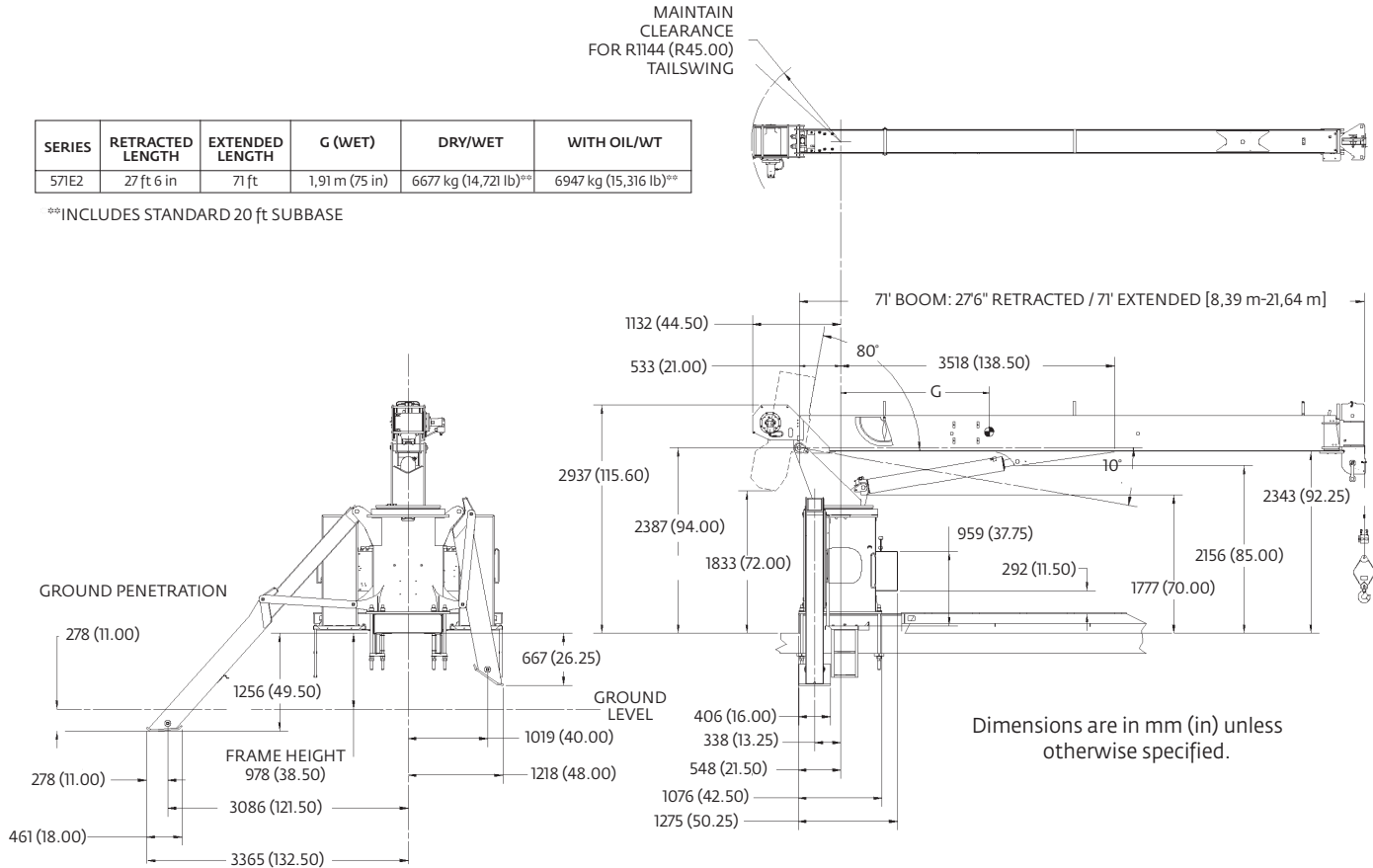
Load chart: 71 ft main boom, full span outrigger, with 23 ft - 41 ft jib

| LOAD RADIUS (FEET) | LOADED BOOM ANGLE | 27 FT BOOM | LOADED BOOM ANGLE | A 35 FT BOOM | LOADED BOOM ANGLE | B 44 FT BOOM | LOADED BOOM ANGLE | C 53 FT BOOM | LOADED BOOM ANGLE | D 62 FT BOOM | LOADED BOOM ANGLE | 71 FT BOOM | LOAD RADIUS (FEET) | LOADED BOOM ANGLE | 23 FT JIB | LOADED BOOM ANGLE | 41 FT JIB |
|--------------------|-------------------|------------|-------------------|--------------|-------------------|--------------|-------------------|--------------|-------------------|--------------|-------------------|------------|--------------------|-------------------|-----------|-------------------|-----------|
| 5 | 77.5 | 36,000 | | | | | | | | | | | 20 | 77 | 3400 | | |
| 8 | 70.5 | 24,050 | 75.5 | 20,100 | | | | | | | | | 25 | 74.3 | 2900 | 77.3 | 2050 |
| 10 | 66 | 18,900 | 72 | 16,800 | 76.5 | 16,300 | 79.5 | 16,050 | | | | | 30 | 70.6 | 2450 | 74.5 | 1800 |
| 12 | 61 | 15,650 | 68.5 | 14,400 | 73.5 | 13,950 | 77 | 13,700 | | | | | 35 | 67.5 | 2100 | 72.2 | 1550 |
| 14 | 56 | 13,650 | 64.5 | 12,600 | 71 | 12,200 | 75 | 11,950 | 77.5 | 11,750 | | | 40 | 64.1 | 1800 | 69.5 | 1400 |
| 16 | 50.5 | 12,000 | 61 | 11,150 | 68 | 10,800 | 72.5 | 10,550 | 75.5 | 10,400 | 78 | 9350 | 45 | 60.3 | 1600 | 66.4 | 1200 |
| 20 | 37.5 | 9350 | 53 | 9000 | 62 | 8750 | 68 | 8550 | 72 | 8400 | 75 | 7750 | 50 | 57.5 | 1450 | 63.4 | 1050 |
| 25 | 14 | 5700 | 41 | 7000 | 55 | 6950 | 62 | 6850 | 67 | 6700 | 70.5 | 6500 | 55 | 53.8 | 1250 | 60.9 | 950 |
| 30 | | | 26.5 | 5200 | 46 | 5660 | 55.5 | 5650 | 62 | 5550 | 66.5 | 5450 | 60 | 49.8 | 1100 | 57.8 | 850 |
| 35 | | | | | 35.5 | 4500 | 48.5 | 4700 | 56.5 | 4650 | 61.5 | 4550 | 65 | 46 | 950 | 55.2 | 750 |
| 40 | | | | | 20 | 3200 | 40.5 | 3850 | 50.5 | 3950 | 57 | 3850 | 70 | 41.6 | 850 | 51.7 | 600 |
| 45 | | | | | | | 30.5 | 3100 | 43.5 | 3300 | 51.5 | 3300 | 75 | 36.6 | 750 | 48.1 | 500 |
| 50 | | | | | | | 14 | 2000 | 36 | 2750 | 46 | 2800 | 80 | 31 | 650 | | |
| 55 | | | | | | | | | 26 | 2150 | 39.5 | 2350 | | | | | |
| 60 | | | | | | | | | | | 32 | 1950 | | | | | |
| 65 | | | | | | | | | | | 22.5 | 1400 | | | | | |
| | 0 | 3500 | 0 | 2200 | 0 | 1350 | 0 | 900 | 0 | 500 | | | | | | | |

Dimensions

| SERIES | RETRACTED LENGTH | EXTENDED LENGTH | G (WET) | DRY/WET | WITH OIL/WT |
|--------|------------------|-----------------|----------------|-----------------------|-----------------------|
| 571E2 | 27 ft 6 in | 71 ft | 1,91 m (75 in) | 6677 kg (14,721 lb)** | 6947 kg (15,316 lb)** |

**INCLUDES STANDARD 20 ft SUBBASE



More information about this product can be found in the *National Crane Series 500E2 Product Guide*.

Specifications

Boom

Comes equipped with a 21,64 m (71 ft) three-section boom. This model can be equipped with a 7,01 m - 12,50 m (23 ft - 41 ft) two-section jib.

Outriggers

The Series 500E2 comes equipped with "A" type boxed slide outriggers and ASH rear stabilizers. An optional center mounted single front stabilizer is available for 360° stability. Outriggers are equipped with a motion alarm and an outrigger monitoring system.

Controls

Dual side operator stations. Dual engine accelerators. Engine start/stop switches included. Emergency stop overrides located at control station.

Overload protection

National Crane boom trucks are equipped with overload protection. A hydraulic capacity alert system is standard on all 500E2 machines.

Torsion box

The stronger standard torsion box improves rigidity, reduces truck frame flex and reduces the need for counterweight.

Easy Glide Boom Wear Pads

Easy Glide boom wear pads reduce the conditions that cause boom chatter and vibration. The net result is smoother crane operation.

Optional speedy-reeve boom tip and sheave blocks

These features simplify rigging changes by decreasing the time needed to change line reeving.

Pre-painted components

Painting crane components before assembly reduces the possibility of rust, improves serviceability and enhances the appearance of the machine.

Serviceability

- Bearings on the boom extend and retract cables can be greased through access holes in the boom side plates

- Boom sections are supported by one hydraulic extend cylinder, minimizing maintenance

Hydraulic reservoir

Capacity of 66 gal